

# CmCard/SD



Article-No:

1040-03-106

## Description

The CmCard/SD represents the heart of the CodeMeter Digital Rights Management system in a Secure Digital (SD) memory card format. It contains a smart card chip with 328 kByte of secure memory for storing thousands of licenses, as well as additional flash memory for use as a removable drive. The basic idea of the revolutionary CodeMeter concept is that licenses can be stored for many products at the same time, with full multi-vendor capabilities.

The minimum set of License Options includes: Text (description of an entry), Unit Counter (number of runs or actually run time of a license), Activation Time (time the license is valid from), Expiration Time (time the license is valid to), Usage Period (starts at first time), Maintenance Period (according to release date), Feature Map (up to 32 modules or versions), License Quantity (concurrent use / floating network licenses), Protected Data / Extended Protected Data (128x256 bytes read-only data), Hidden Data (128x256 bytes only readable with password; usable as secret/private key), Secret Data (128x256 bytes non-readable, only usable as secret/private key), User Data (256 bytes unsecured), Customer Owned License Information (256 bytes).

Encryption algorithms used in firmware 4.10 with serial number 3-3440000 or higher: 128 and 256-bit AES, SHA-256, 1024, 2048 and 4096-bit RSA, 224-bit ECC.

The integrated smart card chip contains a random number generator that complies with the evaluation level EAL 5+ (Common Criteria certified).

## Technical Specifications

The CodeMeter technology is covered by US7.145.297 and other patents.

- Interface: SD Card, SD 2.0, SD 3.0 (UHS-I)
- CodeMeter License memory:
  - Data retention: 10 years at room temperature
  - Data endurance:
    - Unit Counter: up to 500 million decrements
    - Other license parameter: up to 10 million updates to one license
- Flash memory: 4 GByte SLC flash memory, high performance S8 flash controller
  - Data retention: >10 years at room temperature
  - Endurance: 1.8 TBW (BBM) 16.1 TBW based on JEDEC model
  - Performance: Read seq up to 75 MB/s, Write seq. up to 35 MB/s
- Power supply: 2.7 - 3.6 V bus-powered, typ. 25 mA
- Temperature: -40° C ... + 85° C, non-condensing
- MTBF (Mean Time Between Failures):
  - > 3 Million hours
- Case / Dimensions: 32 mm x 24 mm x 2.1 mm
- Weight: 2 g

## Certificates

The CmCard/SD is tested and qualified with the following standards:

### CE-Conformity | European Certificates

CmCards are fully compliant with all applicable European regulations.

- 2014/30/EU EMC:
  - EN55022:2010, IEC/CISPR 22:2008 modified
  - EN55024:2010, IEC/CISPR 24:2010
  - EN 55032:2012, AS/NZS CISPR22:2009 + A1:2010
- All CmCards are fully compliant with EU Directives 2011/65/EU (RoHS), 2015/863/EU (RoHS amendment), 2012/19/EU (WEEE), 1907/2006/EC (REACH), 207/2011/EU (PFOS -REACH Annex XVII)

### International Certificates

- FCC 47 CFR, Part 15, Subpart B (2013)
- VCCI Class B ITE
- KCC. MSIP-REM-XWK-1040-03-1XY (South Korea, 2016-02-24)

### Other Certificates

- VDE License No. 129382
- C-UL-US listed I.T.E. Accessory 10 WB, E-File 211202

This encryption device is only for use with UL Listed PCs (low power systems). It meets UL 60950-1 and CSA C22.2 No. 60950-1 Safety of Information Technology Equipment standards.

### Ordering Information

P/N 1040-03-106: CmCard/SD 4GB bulk  
Other memory capacities on request.

RoHS compliant  
WEEE-Reg-No:  
DE 90465365



All dimensions in millimeter. Subject to change without notice.

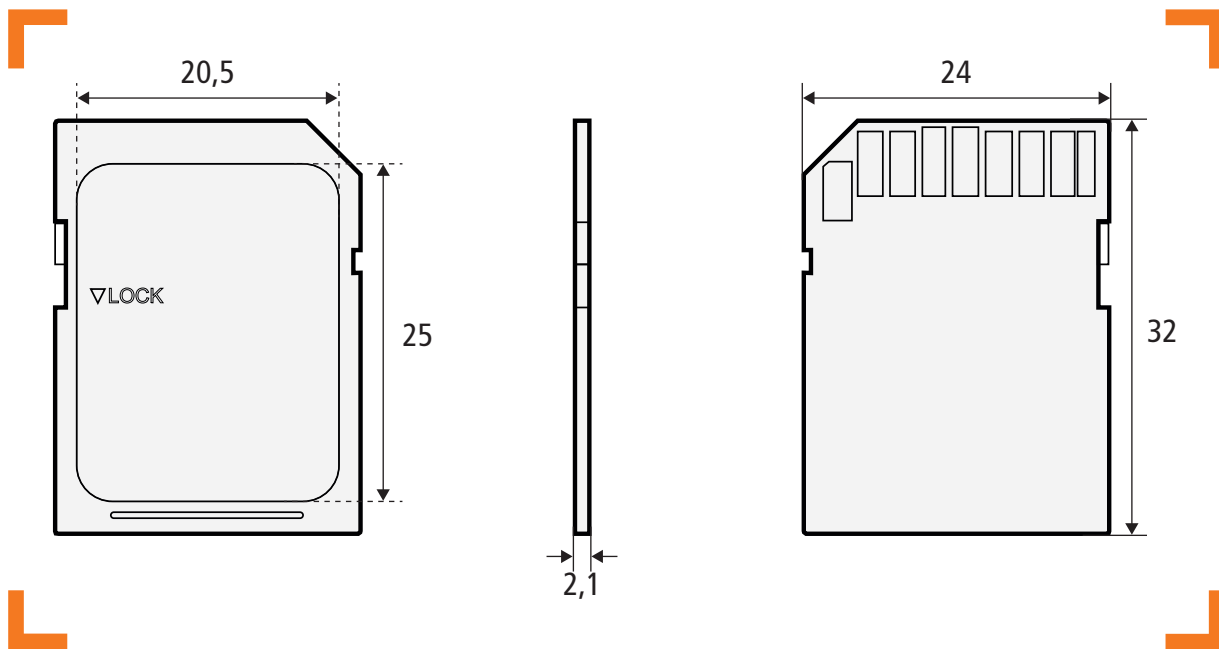
WIBU-SYSTEMS AG  
Rueppurrer Strasse 52-54  
D-76137 Karlsruhe  
Tel: +49-721-93172-0  
Fax: +49-721-93172-22  
info@wibu.com  
www.wibu.com

# Technical Drawing

Article-No:

1 0 4 0 - 0 3 - 1 0 6

RoHS compliant  
WEEE-Reg-No:  
DE 90465365



All dimensions in millimeter. Subject to change without notice.

WIBU-SYSTEMS AG  
Rueppurrer Strasse 52-54  
D-76137 Karlsruhe  
Tel: +49-721-93172-0  
Fax: +49-721-93172-22  
info@wibu.com  
www.wibu.com